



9487 King Air Court Suite C Ashland, VA 23005
www.3starinc.com | sales@3starinc.com | Tel: (804) 550-7202

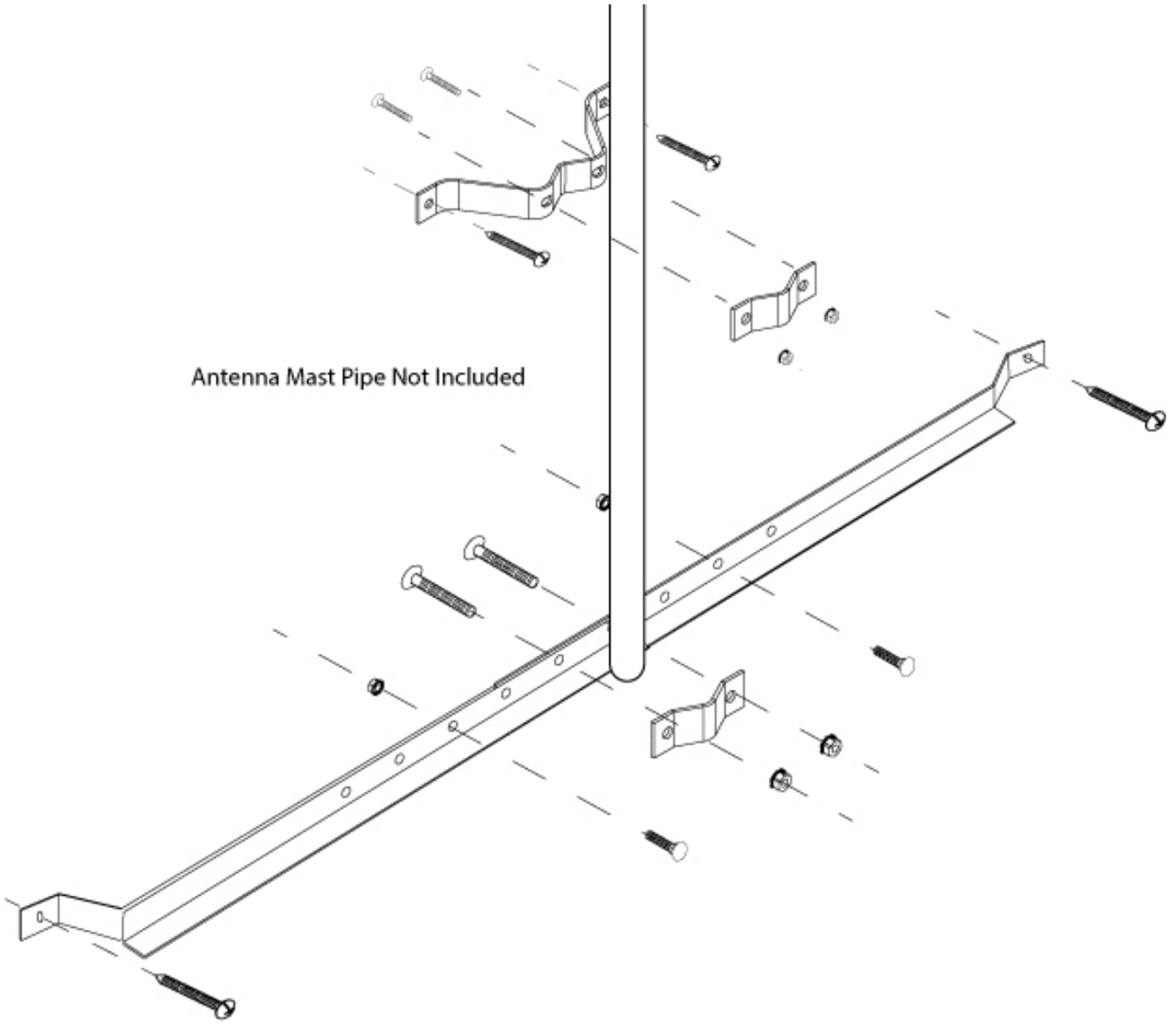
Instruction Sheet For:

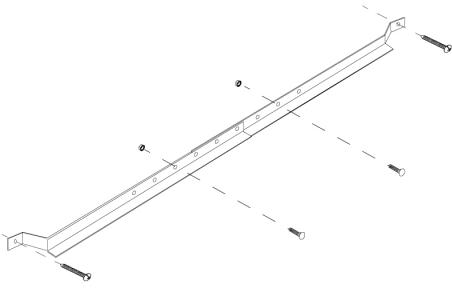
3S-31



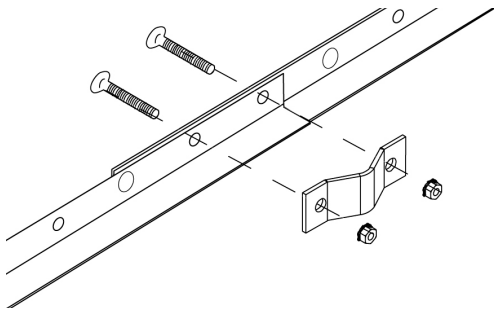
www.3starinc.com

Antenna Mast Pipe Not Included

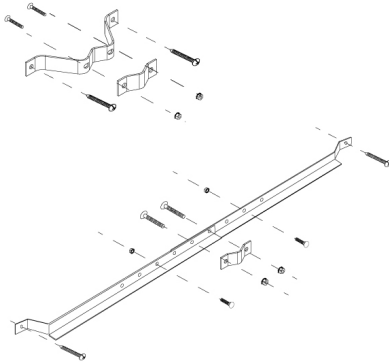




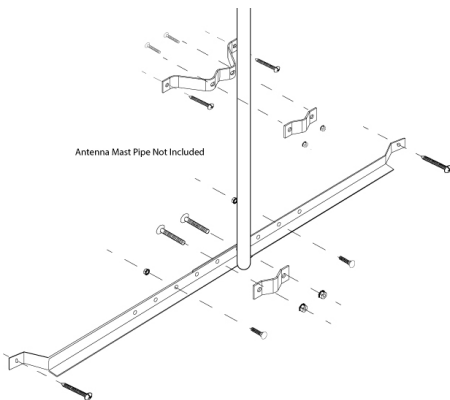
Step 2: Assembling the L brackets



Step 3: Attaching the saddle clamp to the L brackets



Step 4: Mounting the W bracket and L brackets



Step 5: Attaching the antenna mast

Step 1

Before starting, lay out all parts to your mount and match them to the parts list provided. Verify that you have all your parts before attempting to assemble the mount. **Note: It is highly recommended that the installation of the mount be done by a professional.**

Step 2

Assemble the two L brackets at the desired span by using two of the short 5/16" diameter cup square bolts and KEP nuts through the slots cut into the L brackets as shown.

Step 3

Attach the saddle clamp to the combined L brackets with two long cup square bolts and two more KEP nuts.

Step 4

Mark the eave with the desired mounting location in preparation of installation of the L brackets and remaining W bracket to the gable. Pre-drill, if necessary, and mount the L brackets and remaining W bracket to the gable. **Note: Make sure to line up the saddle clamp and W bracket properly as the antenna mast will be squeezed between them. Warning: Please verify that your mounting surface will support the combined weight of your mount, mounting hardware, and antenna mast. Also verify that the mounting surface is safe to drill through. If in doubt, please contact a professional installer.**

Step 5

Place the antenna mast into the notch in the W brackets. Place clamp plate on the opposite side of the antenna mast and use either the long 1/4" diameter screws or the U bolts and hex nuts to tighten down the clamp plate onto the antenna mast clamping it in place. The 1/4" diameter screws are show in the picture. **Please verify that all nuts and screws are securely tightened.**

Enjoy Your Mount!

WARNING: The installer must verify the installation meets all applicable codes and survival requirements. 3 Star Inc will not be held liable for the improper use or installation of its products.